

# esybox MAX

LINE UP TO THE FUTURE

## ELECTRONIC BOOSTER SETS

.....



**DAB**<sup>®</sup>  
WATER • TECHNOLOGY





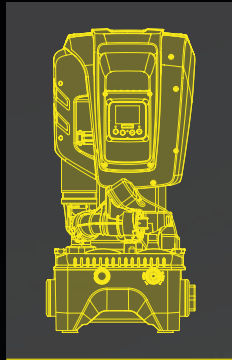
# CARING FOR THE FUTURE



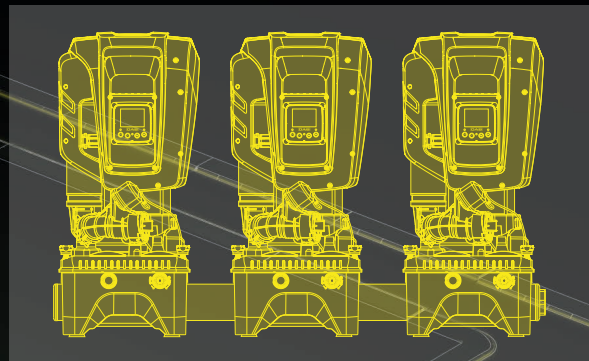
IT'S NOT ONLY TO TALK ABOUT PERFORMANCES , IT'S NOT ONLY TO TALK ABOUT TECHNICAL FEATURES AND IT'S NOT TO TALK ABOUT WHY WE ARE BETTER THAN OUR COMPETITORS.

IT IS VITAL TO START FROM PEOPLE, FROM THE USERS AND IF WE GIVE THEM SOMETHING THAT CAN SIMPLIFY OR IMPROVE THEIR LIFE, THEN PEOPLE WILL BE HAPPY TO FOLLOW US.



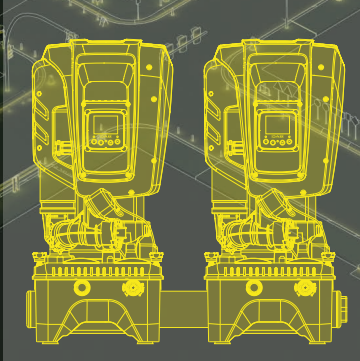


**CONDOMINIUM**  
Example: 10 floors  
20 apartments



**HOSPITAL**  
Example: 4 floors - 100 beds

**HOTEL**  
Example: 6 floors  
80 rooms



The building type/Esybox Max number combinations proposed here are simply examples. Product configurations can be modulated in different ways according to the specifications of each project.

## Not just a pump

even if it is a great pump, esybox max is primarily a new concept in booster sets industry



esybox max



# The Product Journey

“Once you identify the right audience and their problems, your products comes next”



**Paolo Montanari**  
Group Marketing and sales Director

## THE VISION

“When we started to think about esybox MAX we asked ourselves how to manage the evolution of the esybox range.

And It was clear from the very beginning, it could not be just something bigger.

We felt we had to bring forward the path of evolution completely changing the rules of the game for booster sets in residential & commercial buildings.

That’s why esybox max is at first the outcome of listening and communicating with many different people who will be in contact with the product”



### ENGINEER

“Choosing a product with the right performance for my projects often takes too much time . I need a solution with maximum energy efficiency and with reduced dimensions compared to traditional ones. ”



### WHOLESALER

“I need to improve the efficiency of my warehouse in order to always guarantee product availability to my customers”



### INSTALLER

“I need easy-to-install products that can save my time, and often the technical rooms are narrow and with a difficult access! ”



### MAINTAINER

“There is a lot of talk about IOT, how can I offer a better service to my customers and introduce a new model for my business using the internet of pumps?”



### END USER

“The costs on the bill are always higher, I need reliable solutions for my system that help me to reduce my energy consumption ”



### ENVIRONMENT

“It is crucial to understand that taking care of you also means taking care of me. Actually I don't need too much words, concrete facts are enough ”

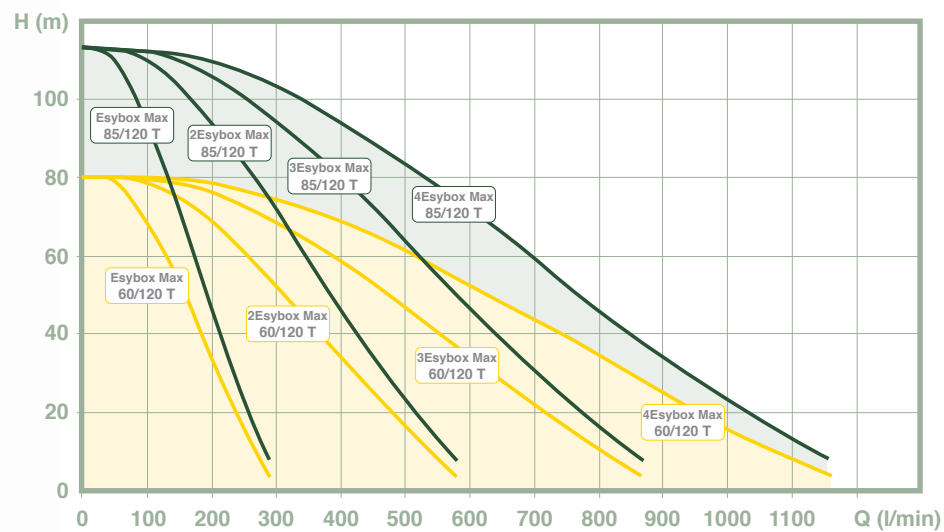




ENGINEER

## Easy Selection

Understanding a range has never been easier, now you only need to select from 2 hydraulics which depends on the height of the building, up to 20 floors. Then you can create your booster set, with up to four pumps, depending on the number of users.



## Efficiency at the state of the art

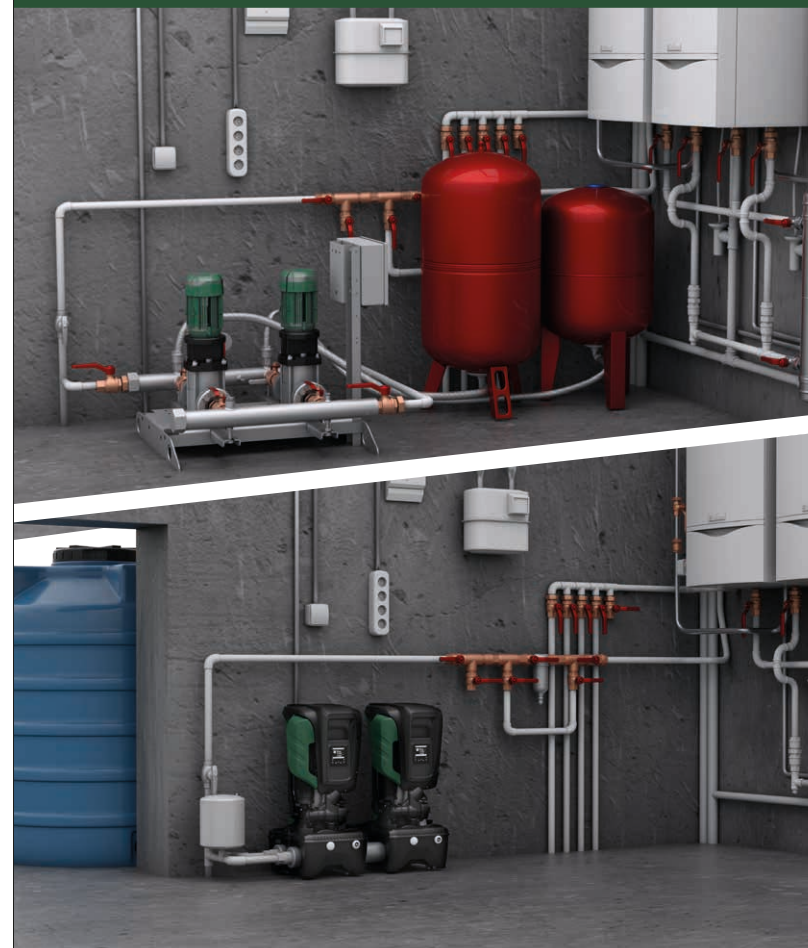
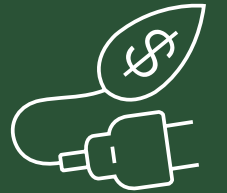
the Dab inverter combined with a brand new permanent magnet motor and with redesigned impellers makes possible a further step ahead in terms of energy performances

BEFORE

AFTER

20%

Energy Saving



## Modular Integration

Esybox max is the most compact and integrated booster set on the market compared with any traditional solution.

## D+CONNECT

## Affordable web based remote control for your projects

Based on state-of-the-art technology, DConnect offers many advantages than typical BMS systems. Performance Data storage and Remote monitoring support you to control and be sure, from anywhere, that the running parameters of the pumps follow exactly your project specification avoiding any possible trouble.





## What about logistic

With esybox max you will improve the efficiency in your warehouse.

From having 1 booster occupying a space now you can fit 3 in the same place so time 3 more efficient.

This also means you can store the full range on one pallet, and your customers will appreciate because they no longer have to wait for their product.

That' efficiency!



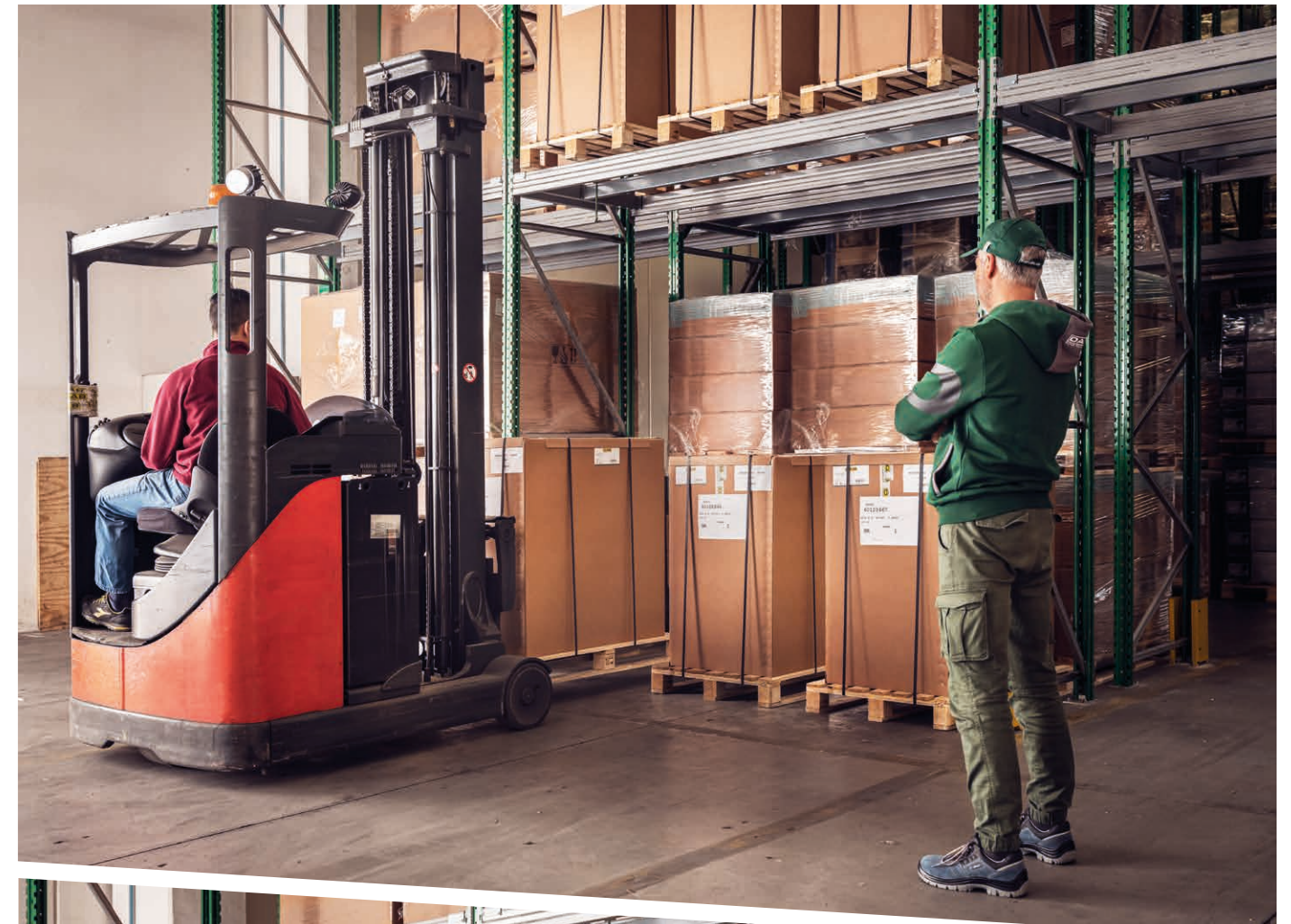
WHOLESALER



Traditional booster sets with 2 pumps



Esybox Max







## Easy to move & install

to simplify your life we extend the On Site Assembly concept. So in case the location has difficult access you can decide to assemble your booster set on-site, which only requires moving smaller and lighter boxes.



INSTALLER

## As quick as a “click”

In the end you have just to install your esydock, “plug” your pumps and set up your booster set wich is so easy with the new D-connect app



## D+CONNECT

### Affordable web based remote control for your installation

You can use your smartphone to interface with the pump, which automatically detects the language, time and unit of measurement of the installation site to save time during the first set up of the system.

DConnect makes monitoring DAB products easy and intuitive. All adjustments are also possible remotely. For total control with no surprises.





## Easy to maintain

Why waste your time stuck in a traffic jam?  
Wouldn't it be easier to communicate with your pumps?  
May be from anywhere.  
Now you can.  
From your PC or smartphone it doesn't matter.  
You just need to check the stored data and change any setting with just one click.

### MAINTAINER



## DCONNECT

### A new boost for your business

Thanks to internet of pumps technology , you will be able to monitor and control your installations receiving alarms and notifications on possible malfunctions and keeping the main operating data under control, such as energy and water consumption.

you will have a reduction of costs associated with on-site visits and the duration of interventions , guaranteeing at the same time greater reliability of the systems.

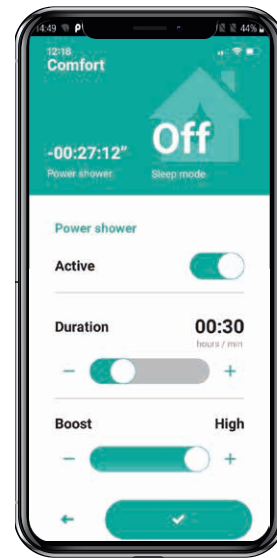
With DConnect you can offer to your customer a more effective and economical service, such as the new Silver and Gold packages, which allow basic and advanced assistance linked to the set up, monitoring and remote control of the systems, the reception in real time of specific and settable alarms and the receipt of periodic reports on the operation of the systems.





# Here comes the COMFORT

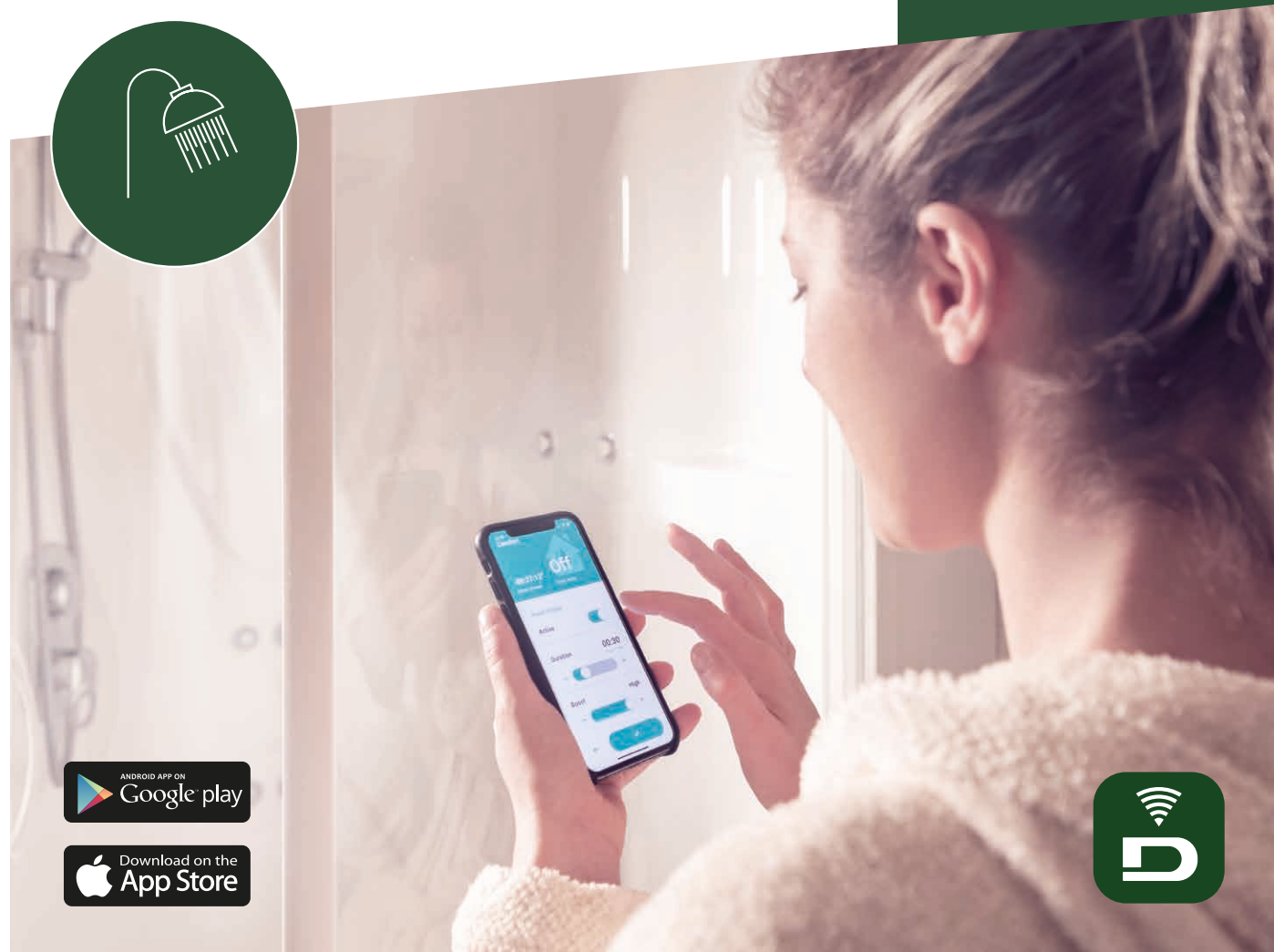
Energy saving, thanks to the integrated inverter that optimises performance; comfort, thanks to the Dconnect app that allows you to manage the pressure required at a given moment to enjoy, for example, a nice hot shower in total relax



## LESS COSTS ON YOUR BILL!

VISIT OUR WEB SITE  
TO CALCULATE YOUR SAVING

### END USER



### ENVIRONMENT



## Design for the environment

“SUSTAINABILITY , for DAB,  
is not just technology,  
it is much more...”



Esybox Max  
is state of the  
art for energy  
efficiency



Is constructed  
with extensive  
use of recycled  
material



A more efficient  
logistic results  
in lower CO<sub>2</sub>  
emissions for  
transportation



# Nacked integration

With esybox max the concept of integration reach a new standard. Each new component is combined to deliver a better product experience.

- 1 DISPLAY
- 2 INVERTER
- 3 MODULE WIFI/BLEETOOTH
- 4 PRESSURE SENSOR (delivery side)
- 5 PRESSURE SENSOR (suction side)
- 6 NON-RETURN VALVE
- 7 2 LT. EXPANSION TANK
- 8 IMPELLERS
- 9 HYDRAULICS CONNECTIONS
- 10 FAST CONNECTION TOOL
- 11 WATER COOLED PERMANENT MAGNET MOTOR
- 12 HANDLES





# The assembling technology

## ERGONOMICS

Every single operator movement has been analysed and studied to create a production line that is as safe as it is efficient.



## QUALITY

All assembly operations are performed with equipment monitored by a centralized control system and the operator has all the necessary instructions immediately available on the display. After each pre-assembly phase, the various components undergo control tests (quality gates) to ensure that they work perfectly. No component proceeds to the next assembly phase if it does not pass each test.



## TRACEABILITY

The entire assembly process is optimized. All technical and historical data of the production process and the product are recorded in a unique database and can be traced at any time. The data control and traceability system is designed to take full advantage of the potential of our Manufacturing Execution System (MES).



For DAB, the research and application of new technologies means finding the best possible solution to users' needs, while fully respecting the environment.

Technological innovation is never an end in itself but functional to perfecting the quality of work and maximising product reliability.





# Thechnical Data

<b>FLOW RATE:</b>	Up to 17,4 m <sup>3</sup> /h (For single unit)
<b>HEAD:</b>	113 m
<b>LIQUID TEMPERATURE:</b>	+50°C
<b>MAXIMUM AMBIENT TEMPERATURE:</b>	+55°C
<b>MAXIMUM INLET PRESSURE:</b>	5 bar
<b>OPERATION PRESSURE:</b>	12 bar / 1200 kPa
<b>CONSTANT PRESSURE RANGE:</b>	1-12 bar (3 bar by default)
<b>MOTOR PROTECTION CLASS:</b>	IP X5
<b>MOTOR INSULATION CLASS:</b>	F
<b>IMPELLER MATERIAL:</b>	Technopolymer
<b>SINGLE PHASE POWER INPUT:</b>	208-240V 50/60Hz
<b>THREE PHASE POWER INPUT:</b>	380-480V 50/60Hz
<b>TYPE OF INSTALLATION:</b>	Fixed in vertical position
<b>TYPE OF PUMPED LIQUID:</b>	Clean, free from solid or abrasive substances, non-viscous, non-aggressive, non-crystallized and chemically neutral
<b>CERTIFICATION:</b>	WRAS, ACS, NSF61 ( are pending approval )

# Accessories

## ESY I/O

It is the electronic expansion module that allows to interface Esybox Max with the external input/output devices(eg: flotswitch, pressure switch, remote alarm) and with the BMS world (Building Management System).



ESYBOX MAX	2 ESYBOX MAX	3 ESYBOX MAX	4 ESYBOX MAX
•	•	•	•

## CONTROL PANEL

Electrical connection panels for 2 or 3 pumps complete with magnetothermic switches for powering multi-pump units.

It can be installed on the wall or directly to Esybox Max units using the dedicated pillar.

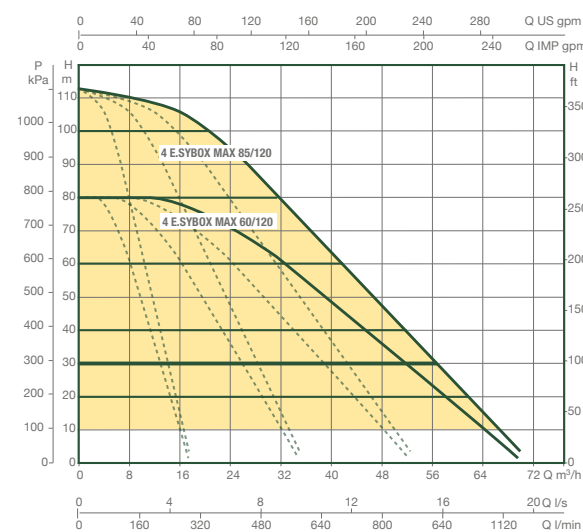
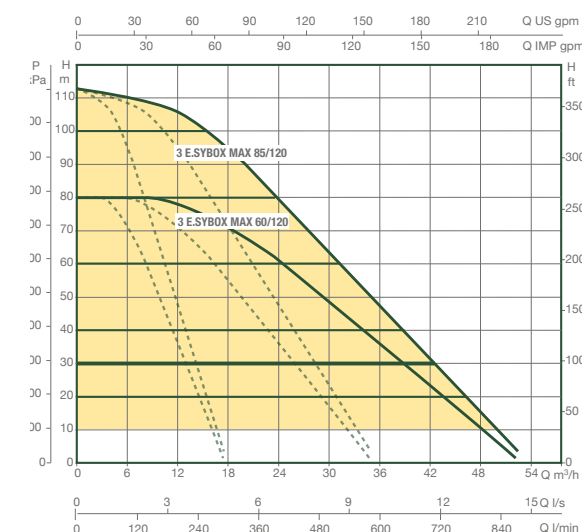
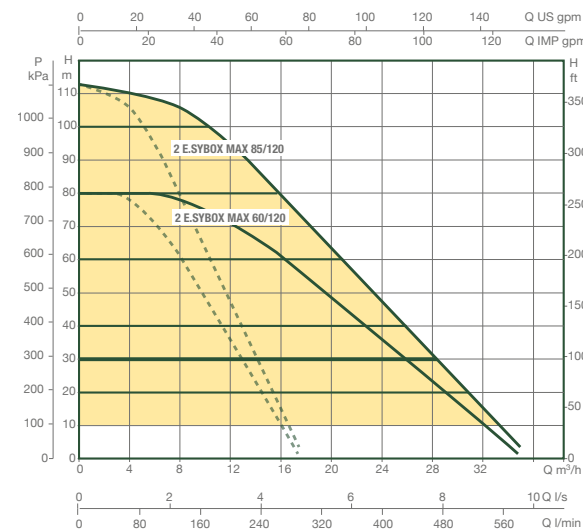
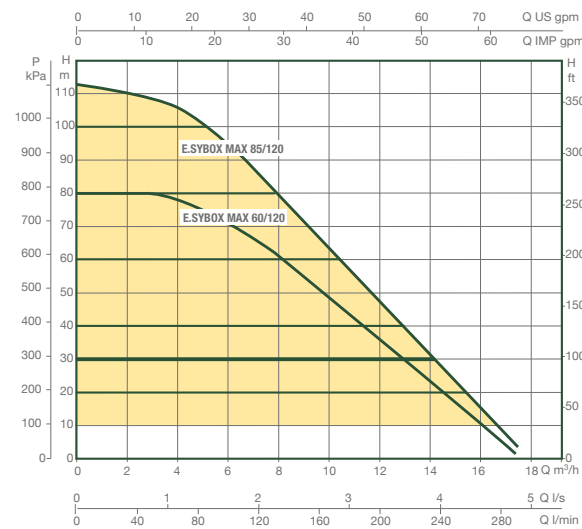


DESCRIPTION	ESYBOX MAX	2 ESYBOX MAX	3 ESYBOX MAX	4 ESYBOX MAX
<b>CONTROL PANEL E2G5.2</b>	-	• Single phase	-	• 2 x Single phase
<b>CONTROL PANEL E2G7</b>	-	• three-phase	-	• 2 x three-phase
<b>CONTROL PANEL E3G10.5</b>	-	-	• three-phase	-

## MOUNTING PILLAR

Pillar for mounting the electrical panel directly on the dock of the multy pumps system.

ESYBOX MAX	2 ESYBOX MAX	3 ESYBOX MAX	4 ESYBOX MAX
-	•	•	2X





**DAB PUMPS LTD.**

6 Gilberd Court  
Newcomen Way  
Severalls Business Park  
Colchester  
Essex  
C04 9WN - UK  
salesuk@dwtgroup.com  
Tel. +44 0333 777 5010

**DAB PUMPS BV**

'tHofveld 6 C1  
1702 Groot Bijgaarden - Belgium  
info.belgium@dwtgroup.com  
Tel. +32 2 4668353

**DAB PUMPS B.V.**

Albert Einsteinweg, 4  
5151 DL Drunen - Nederland  
info.netherlands@dwtgroup.com  
Tel. +31 416 387280  
Fax +31 416 387299

**DAB PUMPS GMBH**

Am Nordpark 3  
D - 41069 Mönchengladbach - Germany  
info.germany@dwtgroup.com  
Tel. +49 2161 47388-0  
Fax +49 2161 47388-36

**DAB PUMPS IBERICA S.L.**

Calle Verano 18-20-22  
28850 - Torrejón de Ardoz - Madrid  
Spain  
Info.spain@dwtgroup.com  
Tel. +34 91 6569545  
Fax: + 34 91 6569676

**DAB PUMPS HUNGARY KFT.**

H-8800  
Nagykanizsa, Buda Ernő u.5  
Hungary  
Tel. +36 93501700

**DAB PUMPS POLAND Sp. z o.o.**

Ul. Janka Muzykanta 60  
02-188 Warszawa - Poland  
polska@dabpumps.com.pl

**OOO DAB PUMPS**

Novgorodskaya str. 1, block G  
office 308, 127247, Moscow - Russia  
info.russia@dwtgroup.com  
Tel. +7 495 122 0035  
Fax +7 495 122 0036

**DAB PUMPS INC.**

3226 Benchmark Drive  
Ladson, SC 29456 - USA  
info.usa@dwtgroup.com  
Tel. 1 - 843-797-5002  
Fax 1-843-797-3366

**DAB PUMPS SOUTH AFRICA (PTY) LTD**

Twenty One industrial Estate,  
16 Purlin Street, Unit B, Warehouse 4  
Olifantsfontein -1666 - South Africa  
info.sa@dwtgroup.com  
Tel. +27 12 361 3997

**DAB PUMPS (QINGDAO) CO. LTD.**

No.40 Kaituo Road, Qingdao Economic & Technological  
Development Zone  
Qingdao City, Shandong Province - China  
PC: 266500  
sales.cn@dwtgroup.com  
Tel. +86 400 186 8280  
Fax +86 53286812210

**DAB PUMPS DE MÉXICO, S.A. DE C.V.**

Av Amsterdam 101 Local 4  
Col. Hipódromo Condesa,  
Del. Cuauhtémoc CP 06170  
Ciudad de México  
Tel. +52 55 6719 0493

**DAB PUMPS OCEANIA PTY LTD**

426 South Gippsland Hwy,  
Dandenong South VIC 3175 - Australia  
info.oceania@dwtgroup.com  
Tel. +61 1300 373 677

**PT DAB PUMPS INDONESIA**

Satrio Tower lantai 26  
unit C-D, Jl. Prof. Dr. Satrio Kav. C4,  
Kel. Kuningan Timur, Kec. Setiabudi, Kota Adm.  
Jakarta Selatan, Prov. DKI Jakarta. - Indonesia  
Tel. +62 2129222850